



MB-0412

MB-0812

MB-0816

MB-1016

## COLDWORKS Box & Pan / Straight Hand Brakes

MODEL		MB-0412	MB-0612	MB-0812	MB-0816	MB-1014	MB-1016	MB-1222
Cutting Capacity	Bending Length	1220 mm 48"	1830 mm 72"	2440 mm 96"	2440 mm 96"	3048 mm 120"	3048 mm 120"	4000 mm 157"
	Mild Steel	2.5 mm 13 GA.	2.5 mm 13 GA.	2.5 mm 13 GA.	1.6 mm 16 GA.	2.0 mm 14 GA.	1.6 mm 16 GA.	.8 mm 22 GA.
	Stainless Steel	1.6 mm 16 GA.	1.6 mm 16 GA.	1.6 mm 16 GA.	1.0 mm 19 GA.	1.2 mm 19 GA.	1.0 mm 19 GA.	.6 mm 22 GA.
Bending Angle		0 - 135°	0 - 135°	0 - 135°	0 - 135°	0 - 135°	0 - 135°	0 - 135°
Beam Adjustment		25 mm 1"	25 mm 1"	25 mm 1"	25 mm 1"	25 mm 1"	25 mm 1"	25 mm 1"
Min Reverse Bend		16 mm 5/8"	16 mm 5/8"	16 mm 5/8"	16 mm 5/8"	16 mm 5/8"	16 mm 5/8"	16 mm 5/8"
Packing Size		71"x 34" x 44"	97" x 34" x 44"	123" x 34" x 44"	123" x 34" x 44"	146" x 34" x 46"	168" x 34" x 48"	186" x 36" x 48"
Packing Weight		1985 lbs	2425 lbs	3220 lbs	2535 lbs	3420 lbs	3200 lbs	5955 lbs

MODEL		MB-0412S	MB-0612S	MB-0812S	MB-0816S	MB-1014S	MB-1016S	MB-1222S
Cutting Capacity	Bending Length	1232 mm 48 1/2"	1855 mm 73"	2465 mm 97"	2465 mm 97"	3075 mm 121"	3075 mm 121"	4000 mm 157"
	Mild Steel	2.5 mm 13 GA.	2.5 mm 13 GA.	2.5 mm 13 GA.	1.6 mm 16 GA.	2.0 mm 14 GA.	1.6 mm 16 GA.	.8 mm 22 GA.
	Stainless Steel	1.6 mm 16 GA.	1.6 mm 16 GA.	1.6 mm 16 GA.	1.0 mm 19 GA.	1.2 mm 19 GA.	1.0 mm 19 GA.	.6 mm 22 GA.
Bending Angle		0 - 135°	0 - 135°	0 - 135°	0 - 135°	0 - 135°	0 - 135°	0 - 135°
Beam Adjustment		25 mm 1"	25 mm 1"	25 mm 1"	25 mm 1"	25 mm 1"	25 mm 1"	25 mm 1"
Min Reverse Bend		16 mm 5/8"	16 mm 5/8"	16 mm 5/8"	16 mm 5/8"	16 mm 5/8"	16 mm 5/8"	16 mm 5/8"
Packing Size		71"x 34" x 44"	97" x 34" x 44"	123" x 34" x 44"	123" x 34" x 44"	146" x 34" x 46"	168" x 34" x 48"	186" x 36" x 48"
Packing Weight		1985 lbs	2425 lbs	3220 lbs	2535 lbs	3420 lbs	3200 lbs	5955 lbs

All Specifications & design are subject to change without prior notice

### Standard Equipment / Features

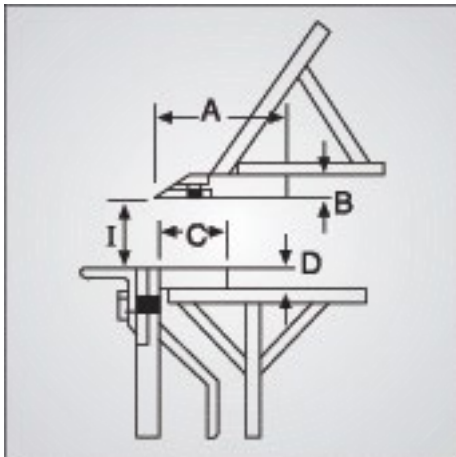
- 1 Two Piece Counter Weight
- 2 Rigid floor stand structure
- 3 Segmented or straight upper blade



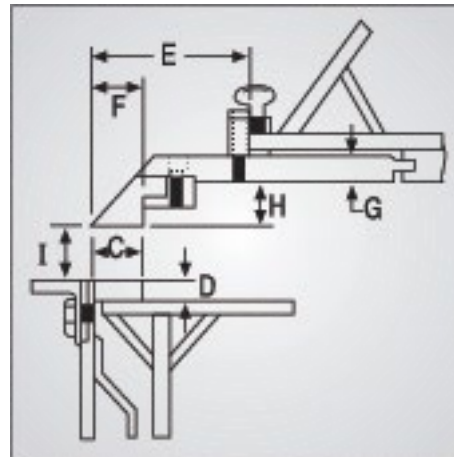
### Box & Pan / Straight Hand Brake Standard Features



### TECHNICAL DATA



Manual Straight Brake



Manual Box & Pan Brake

MODEL	MB-4	MB-6	MB-8	MB-10	MB-12
76 mm 26 3/64"	3	6	6	6	6
102 mm 4 1/64"	2	3	4	4	6
127 mm 5"	5	6	10	10	10
152 mm 56 3/64"	1	2	2	6	11
Total Quantity	11	17	22	26	33
Total Length	1219 mm 47 63/64"	1828 mm 71 31/32"	2438 mm 95 63/64"	3046 mm 119 59/64"	4010 mm 157 7/8"

Coldworksequipment.com